

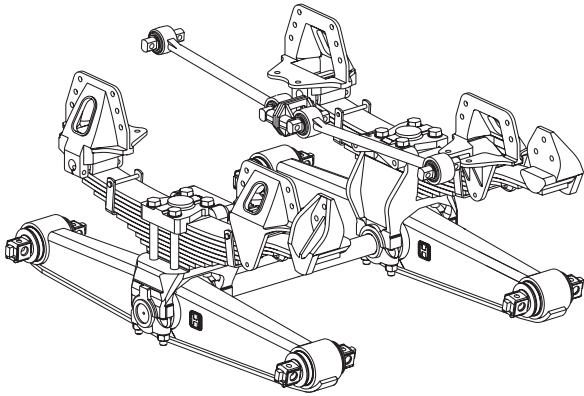
# PARTS LIST

## RT/RTE™ Series

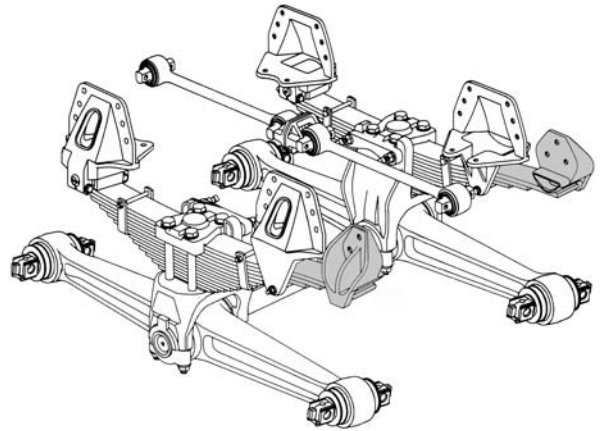
LIT NO: SP-168

DATE: November 2004

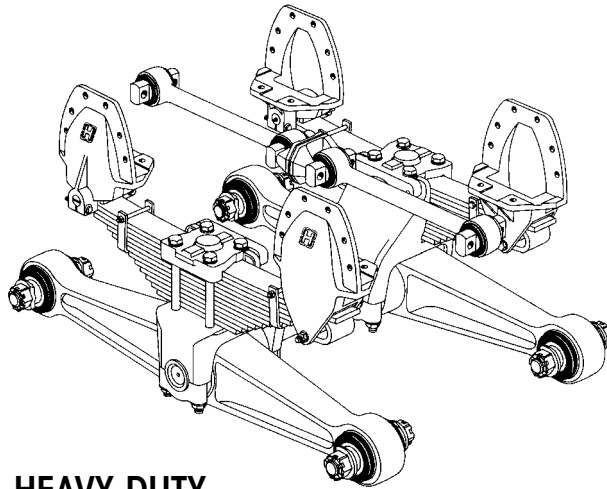
REVISION: A



**RT/RTE-340/343/  
400/403/460/463**



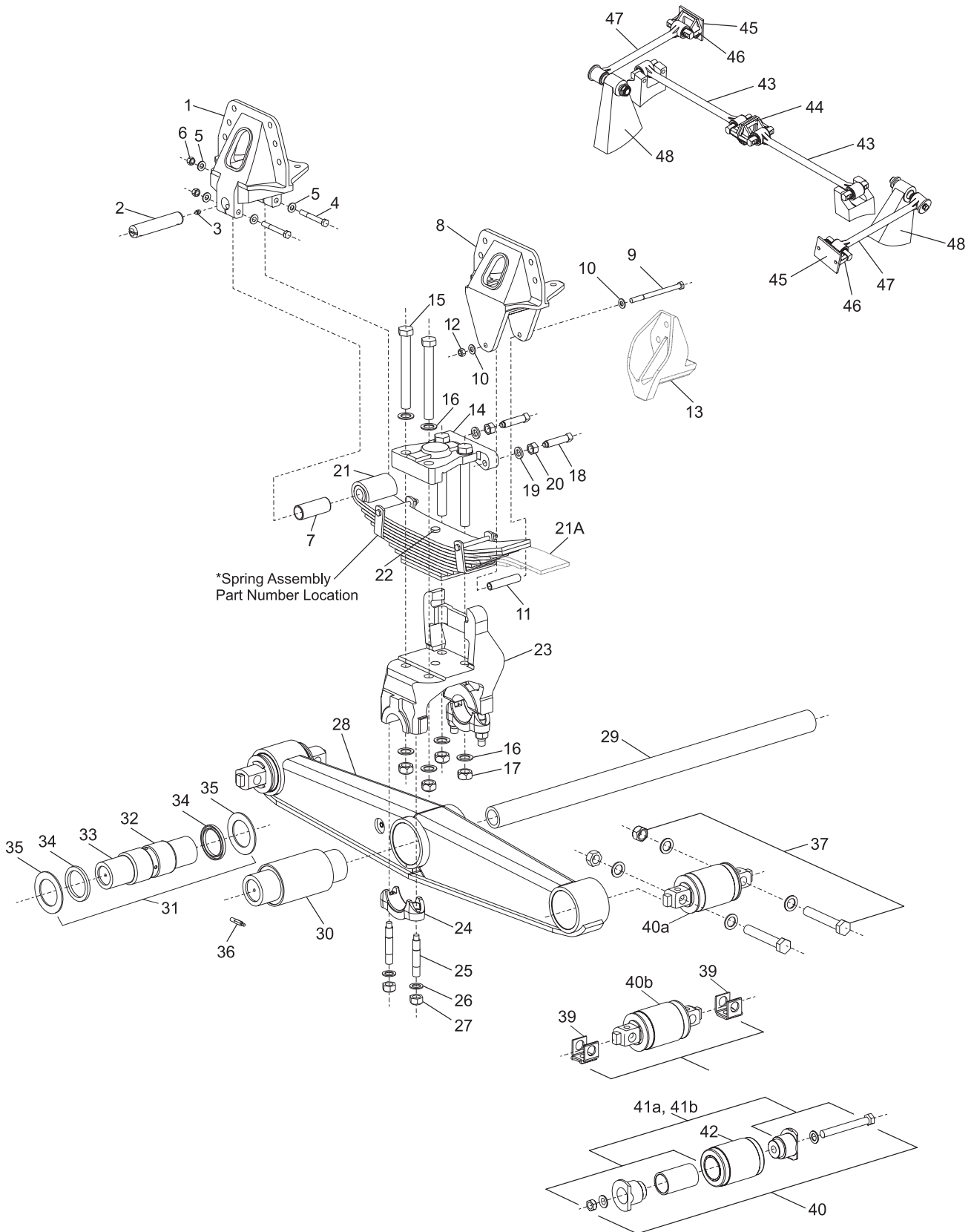
**RT/RTE-480/  
503/520/523**



**HEAVY DUTY  
RT-650**

*For The Road Ahead™*

 **HENDRICKSON**





# RT/RTE™ -340/343/400/403/460/463 PARTS LIST

KEY NO.	PART NO.	DESCRIPTION	NO. REQ.	KEY NO.	PART NO.	DESCRIPTION	NO. REQ.
1		#1 Spring Hanger, Fwd., Double Lock Pin-See 45745-038-Components Section	2		22279-000	RT/RTE-340 w/ Loose End Plug**	
2	43146-000	Pin-1 3/8" Diameter Double Lock	2		49400-000	RT/RTE-343/403	
3	33117-000	Lube Fitting	2		49600-000	RT/RTE-343/403 w/ Loose End Plug**	
	29828-035	Lock Bolt Kit-Key #1 Hanger (Includes Key Nos. 4 - 6)	2		29483-005	RT/RTE-463 Optional, Requires Transverse Rods	
4	24531-009	1/2"-13 UNC Bolt	4		34013-097	RT/RTE-463 w/ Loose End Plug**, Optional, Requires Transverse Rods	
5	22962-011	1/2" Washer	8	31		<b>Bronze Center Bushing Kit</b> (Includes Key Nos. 32 - 36)	1
6	49846-000	1/2"-13 UNC Locknut	4		30436-000L	RT/RTE-340 (Optional)	
7	30057-008	Bushing 1 3/8" I.D.	2		30437-000L	RT/RTE-343/400/403/460/463	
8		#2 Spring Hanger, Rear-See 45745-038-Components Section	2	32		Bronze Center Bushing	2
	29828-023	<b>Rebound Bolt &amp; Spacer Kit</b> (Includes Key Nos. 9 - 12)	2		30240-001	RT/RTE-340 (Optional)	
9	24531-005	1/2"-13 UNC Bolt	2		30240-002	RT/RTE-343/400/403/460/463	
10	22962-011	1/2" Hardened Washer	4	33		Beam Center Sleeve	2
11	00194-000	Spacer	2		14684-000	RT/RTE-340 (Optional)	
12	49846-000	1/2"-13 UNC Locknut	2		14685-000	RT/RTE-343/400/403/460/463	
13		#3 Spring Hanger, Extended Leaf Spring-See 45745-038, Components Section	2	34		Beam Center Seal	4
14	35064-000	Top Pad	2		30333-000	RT/RTE-340 (Optional)	
15	30550-	Bolt, Specify Length-Dim. 'A'	8		30334-000	RT/RTE-343/400/403/460/463	
16	22962-006	1" Washer	16	35		Thrust Washer	8
17	08017-000	1"-14 UNS Top Pad Nut	8		32364-000	RT/RTE-340 (Optional)	
	35370-002	<b>Set Screw Kit</b> (Includes Key Nos. 18 - 20)	4		32365-000	RT/RTE-343/400/403/460/463	
18	06813-000	3/4"-10 UNC Top Pad Setscrew	4	36		Lube Fitting w/ Forged Beam w/ Fab Beam	2
19	17339-000	Setscrew Lockwasher	4		30087-000		
20	17342-000	3/4"-10 UNC Setscrew Nut	4		58758-001		
21*		Spring Assembly	2			<b>Bar Pin End Bushing Kit</b> Non-Shim Type (Includes Key No. 40a and Fasteners)	4
	58193-000	RT-340/343 STD Duty		37	34013-087L	Shim Type (Includes Key Nos. 39, 40b and Fasteners)	
	58194-000	RT-340/343 Light Duty				Shim	8
	45027-000	RT-400/403			50130-000	.19/.19	
	47057-000	RT-460/463			50131-000	.25/.12	
21A*	58192-000	RTE-340/343		38	34013-088L	<b>End Bushing and Adapter Kit</b> RT/RTE-343/403 (Includes Key Nos. 41a, 42)	4
	45121-000	RTE-400/403				RT/RTE-463 (Includes Key Nos. 41b, 42)	
	45322-000	RTE-460/463		39		Bar Pin End Bushing*****	4
22	05069-000	Center Bolt, 1/2" or 5/8" Diameter, Specify Length	2		40a	Non-Shim Type	
23		Saddle Assembly	2		40b	Shim Type	
	31017-023	RT/RTE-340 Height 6 3/16" (Includes Key Nos. 24 - 27) (Casting No. 46529)		41a	45000-007L	<b>End Bushing Adapter Kit</b> RT/RTE-340/403	4
	31017-025	RT/RTE-340 Height 7 3/16" (Includes Key Nos. 24 - 27) (Casting No. 46138)		41b	21140-034L	RT/RTE-463	
	31017-022	RT/RTE-343/400/403 Height 6" (Includes Key Nos. 24 - 27) (Casting No. 57167)		42	45900-000L	End Bushing RT-343/463	1
	31017-109	RT/RTE-343/400/403 Height 7 3/16" (Includes Key Nos. 24 - 27) (Casting No. 57143)		43	60218-000	Torque Rod Assembly (2-Piece)***	2
	31017-096	RT/RTE-460/463 Height 6" (Includes Key Nos. 24 - 27) (Casting No. 57457)		44	22186-000	Torque Rod Frame Bracket	2
	31017-110	RT/RTE-460/463 Height 7 3/16" (Includes Key Nos. 24 - 27) (Casting No. 57155)			42518-	<b>Transverse Rod Assembly Kit****</b> (Includes Key Nos. 45 - 48)	1
24		Saddle Cap	4	45	45045-003	Backup Plate	2
	06662-000	RT/RTE-340		46	22186-000	Transverse Rod Frame Bracket	2
	58795-000	RT/RTE-343/400/403/460/463		47	60215-000	Transverse Rod Assembly (2-Piece)	2
25		7/8"-14 UNF Saddle Cap Stud	8	48		Transverse Rod Axle Bracket, See 59310-004 for proper axle bracket and Assembly Instructions	2
	07002-000	RT/RTE-340					
	06696-000	RT/RTE-343/400/403/460/463					
26	22962-002	7/8" Washer	8				
27	04842-000	7/8"-14 UNF Saddle Cap Nut	8				
28		See Equalizing Beam Assembly Selection Guide 45745-147	2				
29		Cross Tube - Length 44 7/8"	1				
	44642-008	RT/RTE-340, 1 5/16" Diameter					
	44643-009	RT/RTE-343/400/403/460/463, 2 7/16" Diameter					
30		Rubber Center Bushing	2				
	06664-000	RT/RTE-340					

**NOTE:** Brackets for drive axles are supplied by the axle manufacturer.

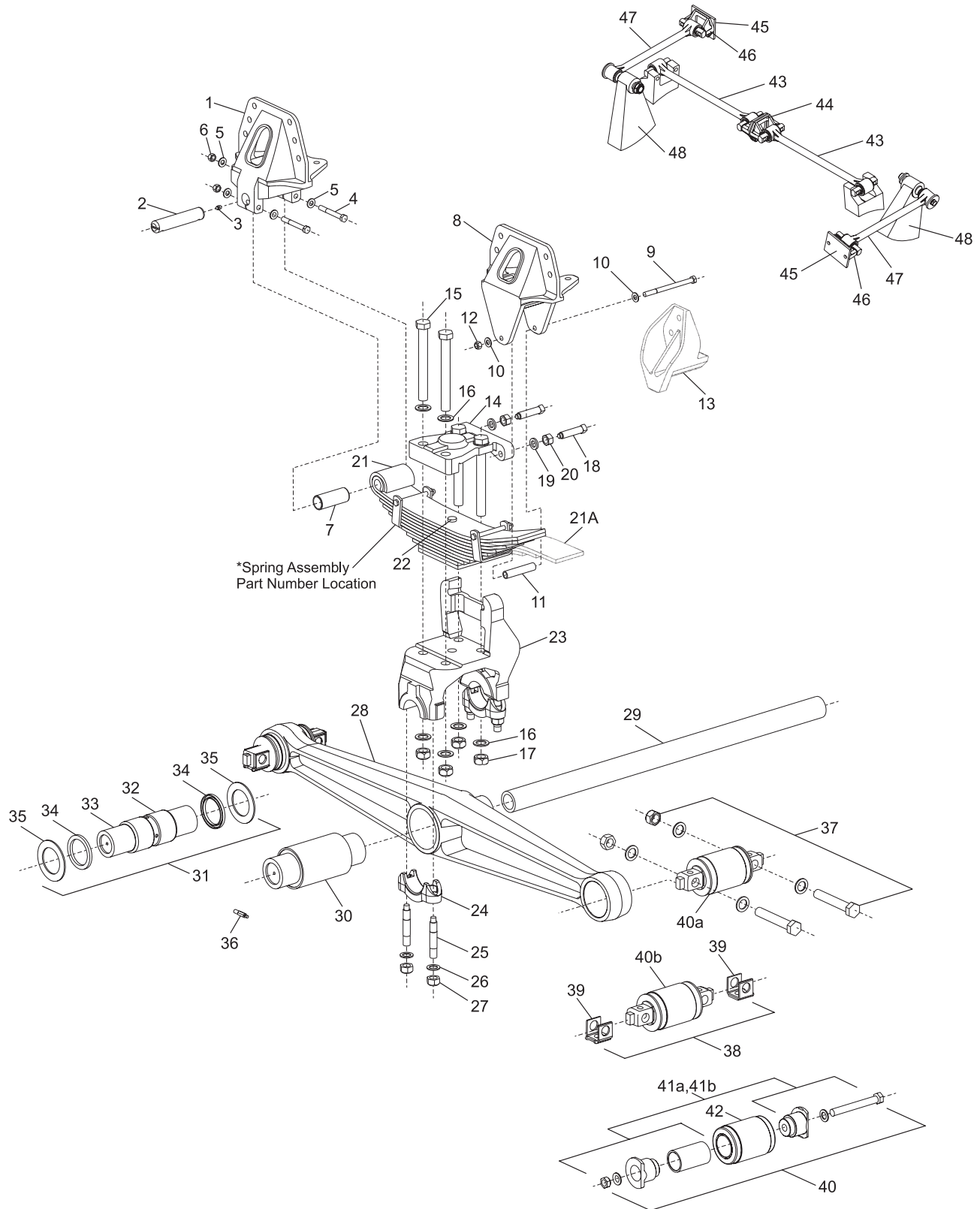
\* Specify spring assembly part number, located on side or top of spring clip (as shown in exploded view). Individual spring leaves available: The number 1 (Main Leaf) and number 2 (Wrapper Leaf) can be ordered separately. Use spring part number and add a -001 or -002. Such as 58193-001 Main Leaf. The number 3 leaf is available in addition to the Main and Wrapper Leaves for the extended leaf spring, add -003, such as 45322-003.

\*\* Center Bushing 22279-000 to be used with OTC Installation Tools.

\*\*\* Hendrickson's part number is stamped on the rod for identification. Be sure and include suffix number when ordering (this number indicates rod length). Hendrickson 2-piece ULTRA RODS can be used to create the desired length. See literature number 45745-149.

\*\*\*\* Transverse Rods (Key 47) are mandatory for all walking beam series suspensions with capacities of 44,000 lbs. thru 52,000 lbs. when using rubber equalizing beam center bushings (Key 29), regardless of axle spacing. See SEU-0213 for mandatory use of transverse rods or bronze center bushings.

\*\*\*\*\* Item included in assembly only, part not sold separately.





# RT/RTE™-480/503/520/523 PARTS LIST

KEY NO.	PART NO.	DESCRIPTION	NO. REQ.
1		#1 Spring Hanger, Fwd., Double Lock Pin – See 45745-038 – Components Section	2
2	43146-000	Pin – 1 <sup>3</sup> / <sub>8</sub> " Diameter Double Lock	2
3	33117-000	Lube Fitting	2
	29828-035	<b>Lock Bolt Kit</b> – Key #1 Hanger (Includes Key Nos. 4 - 6)	2
4	24531-009	1/2"-13 UNC Bolt	4
5	22962-011	1/2" Washer	8
6	49846-000	1/2"-13 UNC Locknut	4
7	30057-008	Bushing 1 <sup>3</sup> / <sub>8</sub> " I.D.	2
8		#2 Spring Hanger, Rear – See 45745-038 – Components Section	2
	29828-023	<b>Rebound Bolt &amp; Spacer kit</b> (Includes Key Nos. 9 - 11)	2
9	24531-005	1/2"-13 UNC Bolt	2
10	22962-011	1/2" Hardened Washer	4
11	00194-000	Spacer	2
12	49846-000	1/2"-13 UNC Locknut	2
13		#3 Spring Hanger, Extended Leaf Spring – See 45745-038, Components Section	2
14	35064-000	Top Pad	2
15	30550-000	Bolt, Specify Length – Dim. 'A'	8
16	22962-006	1" Washer	16
17	08017-000	1"-14 UNS Top Pad Nut	8
	35370-002	<b>Set Screw Kit</b> (Includes Key Nos. 18 - 20)	4
18	06813-000	3/4"-10 UNC Top Pad Setscrew	4
19	17339-000	Setscrew Lockwasher	4
20	17342-000	3/4"-10 UNC Setscrew Nut	4
21*		Spring Assembly	2
	47057-000	RT-480/503/520/523	
21A*	45322-000	RTE-480/503	
22	05069-000	Center Bolt, 1/2" Diameter, Specify Length	2
23		Saddle Assembly	2
	31017-053	Height 6" (Includes Key Nos. 24 - 27) (Casting No. 32796)	
	31017-077	Height 7 <sup>3</sup> / <sub>16</sub> " (Includes Key Nos. 24 - 27) (Casting No. 47476 or 47665)	
	31017-108	Height 11" (Includes Key Nos. 24 - 27) (Casting No. 50965)	
24	58795-000	Saddle Cap (Replaces 48545-000)	4
25	06696-000	7/8"-14 UNF Saddle Cap Stud	8
26	22962-002	7/8" Saddle Cap Washer	8
27	04842-000	7/8"-14 UNF Saddle Cap Nut	8
28		See Equalizing Beam Assembly Selection Guide 45745-147	2
29		Cross Tube – Diameter 2 <sup>7</sup> / <sub>16</sub> "	1
	44643-009	RT/RTE-480/503, Length 44 <sup>7</sup> / <sub>8</sub> "	
	07622-003	RT/RTE-520/523, Length 46"	
30		Rubber Center Bushing, Optional, Requires Transverse Rods w/ Loose End Plug**	2
	29483-005		
	34013-097		
31	30437-000L	<b>Bronze Center Bushing Kit</b> (Includes Key Nos. 32 - 36)	1
32	30240-002	Bronze Center Bushing	2
33	14685-000	Beam Center Sleeve	2
34	30334-000	Beam Center Seal	4
35	32365-000	Thrust Washer	8
36	30087-000	Lube Fitting	2

KEY NO.	PART NO.	DESCRIPTION	NO. REQ.
		<b>Bar Pin End Bushing Kit</b>	4
37	34013-087L	Non-Shim Type (Includes Key Nos. 40a and Fasteners)	
38	34013-088L	Shim Type (Includes Key Nos. 39, 40b and Fasteners)	
39		Shim	8
	50130-000	.19/.19	
	50131-000	.25/.12	
40		<b>End Bushing and Adapter Kit</b>	4
	34013-050	RT-503/523, RTE-503 (Includes Key Nos. 41a, 42) RT-523 (Includes Key Nos. 41b, 42) RT/RTE-503 (Includes Key Nos. 41b, 42)	
	34013-051		
	34013-073		
		Bar Pin End Bushing*****	4
40a	--	Non-Shim Type	
40b	--	Shim Type	
		<b>End Bushing Adapter Kit</b>	4
41a	21140-034L	RT/RTE-480/503/520/523 (5" Lg. Bushing)	
41b	21140-033L	RT/RTE-520/523 (6" Lg. Bushing)	
42		End Bushing	1
	29878-001	RT/RTE-480/503 (5" Lg. Bushing)	
	45407-000	RT/RTE-520/523 (6" Lg. Bushing)	
43	60218-000	Torque Rod Assembly (2-Piece)***	2
44	22186-000	Torque Rod Frame Bracket	2
	42518-	<b>Transverse Rod Assembly Kit****</b> (Includes Key Nos. 45 - 48)	1
45	45045-003	Backup Plate	2
46	22186-000	Transverse Rod Frame Bracket	2
47	60215-000	Transverse Rod Assembly (2-Piece)	2
48		Transverse Rod Axle Bracket, See 59310-004 for proper axle bracket and Assembly Instructions	2

**NOTE:** Brackets for drive axles are supplied by the axle manufacturer.

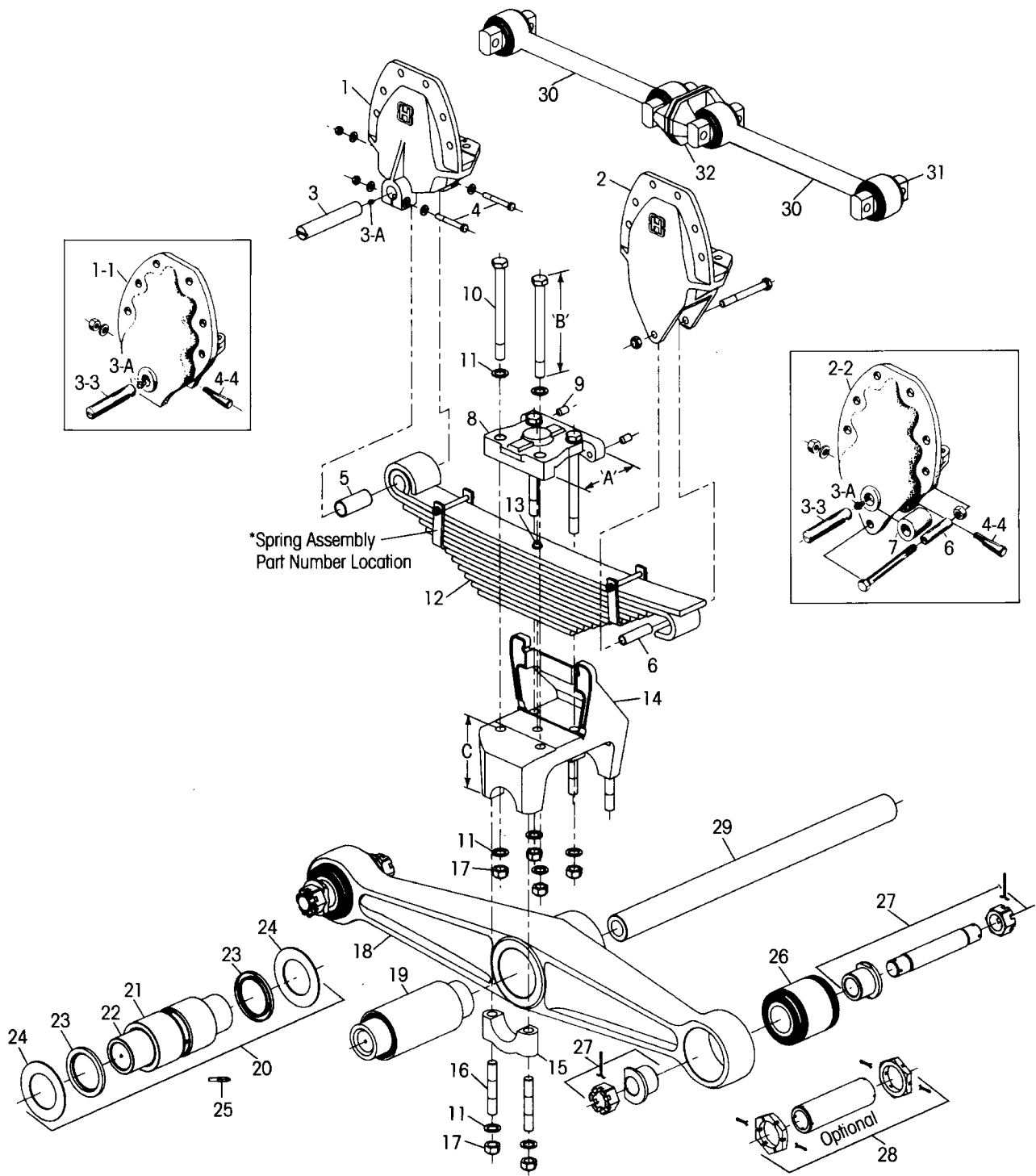
\* Specify spring assembly part number, located on side or top of spring clip (as shown in exploded view).  
Individual spring leaves available: The number 1 (Main Leaf) and number 2 (Wrapper Leaf) can be ordered separately. Use spring part number and add a -001 or -002. Such as 47057-001 Main Leaf. The number 3 leaf is available in addition to the Main and Wrapper Leaves for the extended leaf spring, add -003, such as 45322-003.

\*\* Center Bushing 34013-097 to be used with OTC Installation Tools.

\*\*\* Hendrickson's part number is stamped on the rod for identification. Be sure and include suffix number when ordering (this number indicates rod length). Hendrickson 2-piece ULTRA RODS can be used to create the desired length. See literature number 45745-149.

\*\*\*\* Transverse Rods (Key 47) are mandatory for all walking beam series suspensions with capacities of 44,000 lbs. thru 52,000 lbs. when using rubber equalizing beam center bushings (Key 29), regardless of axle spacing. See SEU-0213 for mandatory use of transverse rods or bronze center bushings.

\*\*\*\*\* Item included in assembly only, part not sold separately.





KEY NO.	PART NO.	DESCRIPTION	NO. REQ.	KEY NO.	PART NO.	DESCRIPTION	NO. REQ.
1, 1-1		#1 Spring Hanger, Forward— See 45745-038 Component Section	2	19	10366-000	Rubber Center Bushing	2
2, 2-2		#2 Spring Hanger, Rear— See 45745-038 Component Section	2	20	45374-000	<b>Bronze Center Bushing Kit</b> (Includes Key Nos. 21-25)	1
3	45797-000	Pin 1½" Diameter Double Lock	2	21	30240-005	Bronze Center Bushing	2
3-3	00005-000	Pin 1½" Diameter Drawkey Lock— (See Item 4-4)	4	22	25102-000	Sleeve	2
3A	33117-000	Lube Fitting	As Req.	23	31577-000	Seal	4
4	46825-001	Lock Bolt Assembly— Key #1 Hanger	2	24	45261-000	Thrust Washer	4
4-4	00081-001	Drawkey Assembly— Key #1-1 Hanger	4	25	30087-000	Lube Fitting	2
5	22285-000	Bronze Bushing 1½" I.D.	2	26		End Bushing	4
	50592-000	Steel Bushing 1½" I.D.	2		10363-000	Length 6"	
6	29828-033	Rebound Bolt & Spacer Assembly	2		10364-000	Length 7"	
7	00003-000	Pin Roller— Key #2-2 Hanger	2	27		<b>Kit, Adapter</b>	4
8	19199-000	Top Pad Dim. 'A'—8 <sup>9</sup> / <sub>16</sub> " (Casting No. 35431 or 48491)	2		21140-007	w/ 6" Bushing	
	45112-000	Top Pad Dim. 'A'—8 <sup>9</sup> / <sub>16</sub> " Replaced By 19199	2		21140-027	w/ Center Tube and 6" Bushing	
9	19201-002	Set Screw	4		21140-031	w/ Chamfered Nut and 6" Bushing	
10	30550-	Bolt, Specify Length—Dim. 'B'	8		21140-004	w/ 7" Bushing	
11	22962-006	Washer	24		21140-026	w/ Center Tube and 7" Bushing	
12*		Spring Assembly (Includes Key No. 5)	2		21140-043	w/ Hex Nut and 7" Bushing	
	02056-000	Spring Rate 29,400 (Bronze Bushing)		28	21140-006	<b>Kit, Tube &amp; Nut</b>	4
	27535-000	Spring Rate 27,300		29	10397-	Cross Tube—Specify Length	1
	57961-000	Spring Rate 44,400		30	72100-000	Torque Rod Assembly, See Note** 5¼" Bolt Spacing, Replaces 45577-000	2
	58596-000	Spring Rate 29,400 (Steel Eye Bushing)		31	64400-003	Torque Rod Bushing, Replaces 48304-000	4
13	05069-000	Center Bolt—Specify Length	2	32	46015-000	Torque Rod Frame Bracket 5¼" Bolt Spacing	2
14		Saddle Assembly (Includes Key Nos. 11, 16, 17)	2				
	31017-004	Dim. 'C'—7 <sup>1</sup> / <sub>8</sub> " (Casting No. 15784, 46895 or 48497)					
	31017-071	Dim. 'C'—9 <sup>3</sup> / <sub>8</sub> " (Casting No. 15784 or 46673-001)					
	31017-070	Dim. 'C'—10 <sup>1</sup> / <sub>8</sub> " (Casting No. 15784 or 46673-002)					
	31017-069	Dim. 'C'—11 <sup>1</sup> / <sub>8</sub> " (Casting No. 15784 or 46673-002)					
15	15785-000	Cap	4				
16	10948-000	1"-14 UNS Saddle Cap Stud	8				
17	08017-000	1"-14 UNS Locknut	16				
18		See Equalizing Beam Assembly Selection Guide 45745-147	2				

**NOTE:** Brackets for drive axles are supplied by the axle manufacturer.

\* Specify spring assembly part number, located on side or top of spring clip (as shown in exploded view).

Individual spring leaves available: The number 1 (Main Leaf) and number 2 (Wrapper Leaf) can be ordered separately. Use spring part number and add a -001 or -002. Such as 02056-001 Main Leaf.

\*\* Hendrickson's part number is stamped on the rod for identification. Be sure and include suffix number when ordering (this number indicates rod length).

This is a general parts list to provide directional information. Components may vary by mode. For questions, contact Hendrickson Tech Services at 630-910-2800 (email [techservices@hendrickson-intl.com](mailto:techservices@hendrickson-intl.com)).



Information contained in this literature was accurate at the time of publication. Product changes may have been made after the copyright date that are not reflected.

[www.hendrickson-intl.com](http://www.hendrickson-intl.com)