

# PARTS LIST

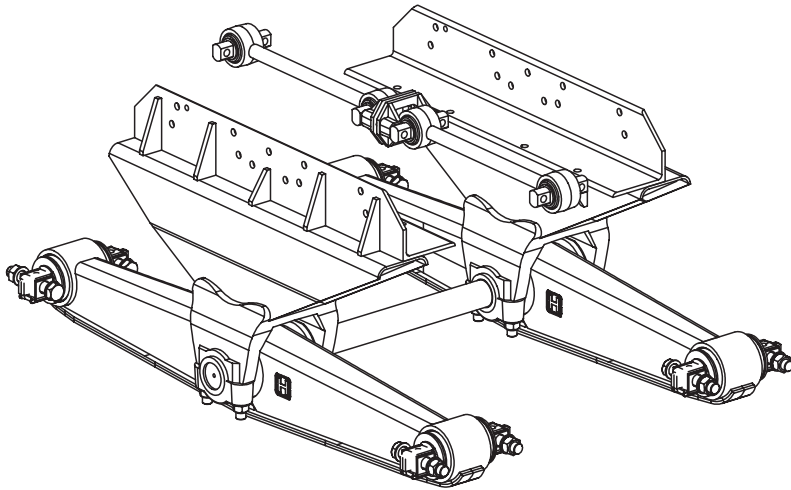
## R™ Series

LIT NO: SP-167

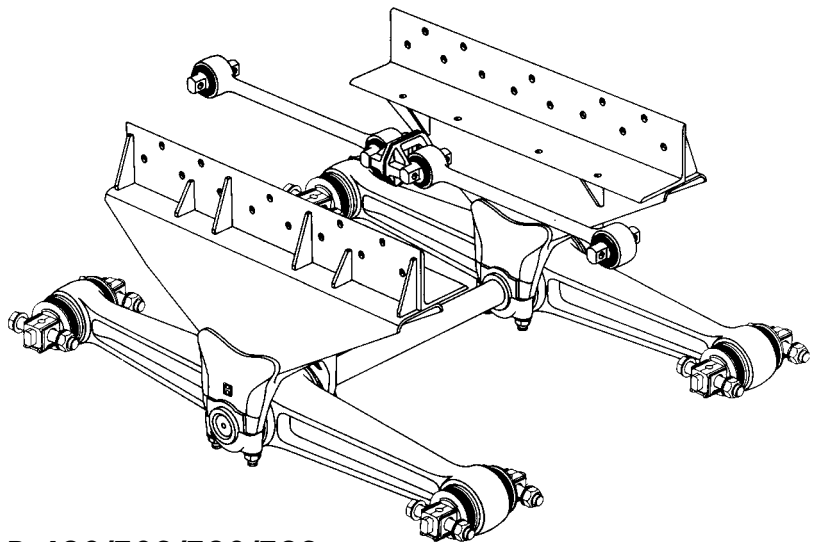
DATE: November 2004

REVISION: A

---



**R-400/403/460/463**

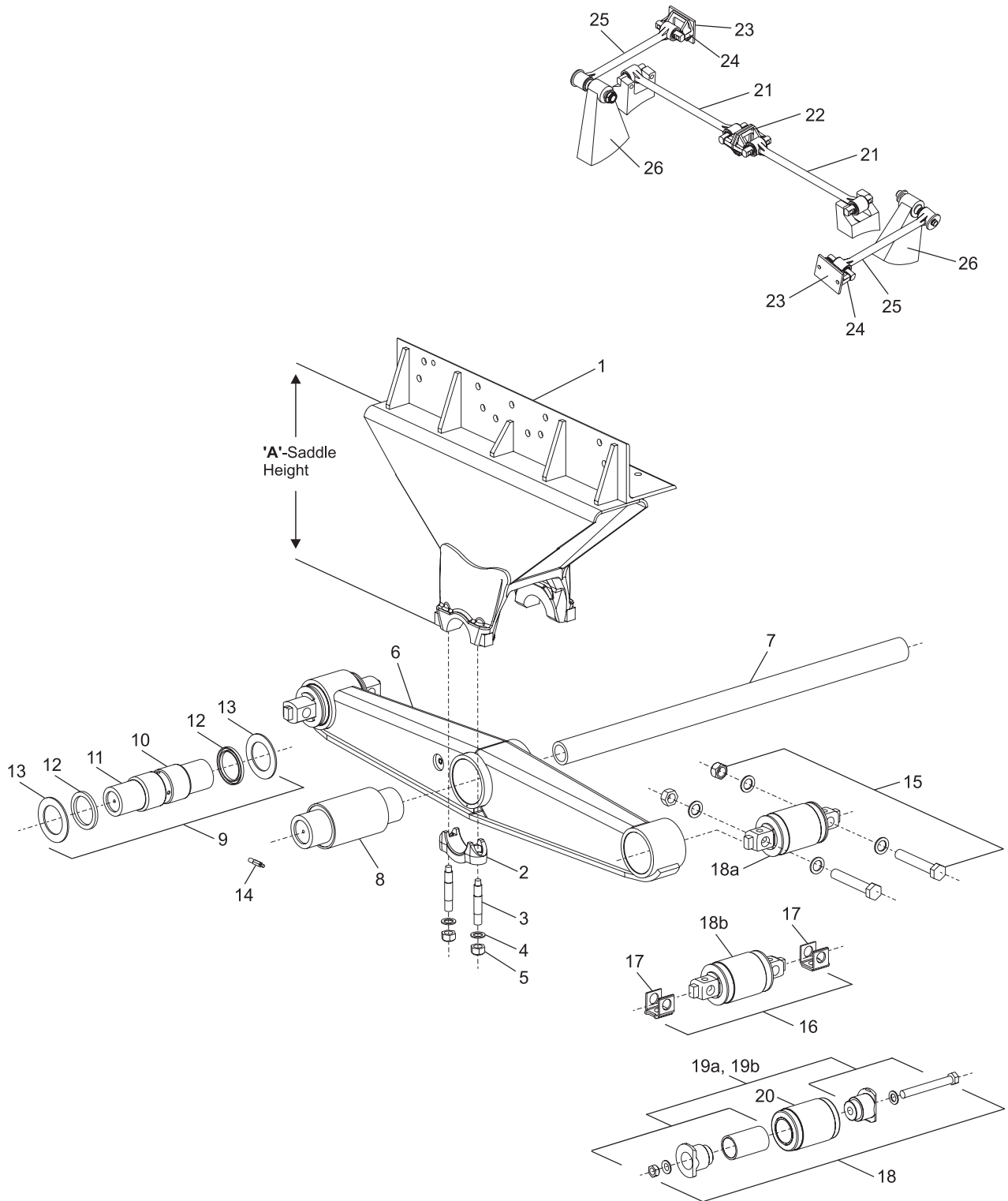


**R-480/503/520/523**

---

*For The Road Ahead™*

 **HENDRICKSON**





# R™-400/403/460/463 PARTS LIST

KEY NO.	PART NO.	DESCRIPTION	NO. REQ.	KEY NO.	PART NO.	DESCRIPTION	NO. REQ.
1		Saddle Assembly Specify Height, Dim. 'A' (Includes Key Nos. 2-5)	2	18		<b>End Bushing and Adapter Kit</b>	4
	49197-50207-	R-400/460 R-400/403/460/463			34013-049L	R-400/403 (Includes Key Nos. 19a, 20)	
					34013-073L	R-460/463 (Includes Key Nos. 19b, 20)	
2	58795-000	Saddle Cap	4			Bar Pin End Bushing	4
3	06696-000	7/8"-14 UNF Stud	8	18a	--	Non-Shim Type****	
4	22962-002	7/8" Hardened Washer	8	18b	--	Shim Type****	
5	04842-000	Saddle Cap Stud, 7/8"-14 UNF Locknut	8			<b>End Bushing Adapter Kit</b>	4
6		See Equalizer Beam Assembly Parts List 45745-147	2	19a	45000-007L	R-400/403	
7		Crosstube, Length 44 7/8"	1	19b	21140-034L	R-460/463	
	44643-009	R-400/403/460/463		20	45900-000L	End Bushing R-400/403/460/463	1
8		Rubber Center Bushing	2	21	60218-000	Torque Rod Assembly (2-Piece)**	2
	49400-000	R-400/403		22	22186-000	Torque Rod Frame Bracket	2
	49600-000	R-400/403 w/ Loose End Plug*			42518-	<b>Transverse Rod Assembly Kit****</b> (Includes Key Nos. 23 - 26)	1
	29483-005	R-460/463 Optional, Requires Transverse Rods		23	45045-003	Backup Plate	2
	34013-097	w/ Loose End Plug*, Optional, Requires Transverse Rods		24	22186-000	Transverse Rod Frame Bracket	2
9		<b>Bronze Center Bushing Kit</b> (Includes Key Nos. 10-14)	1	25	60215-000	Transverse Rod Assembly (2-Piece)	2
	30437-000L	R-400/403/460/463		26		Transverse Rod Axle Bracket, See 59310-004 for proper axle bracket and Assembly Instructions	2
10		Bronze Center Bushing	2				
	30240-002	R-400/403/460/463					
11		Beam Center Sleeve	2				
	14685-000	R-400/403/460/463					
12		Beam Center Seal	4				
	30334-000	R-400/403/460/463					
13		Thrust Washer	8				
	32365-000	R-400/403/460/463					
14		Lube Fitting	2				
	30087-000	w/ Forged Beam					
	58758-001	w/ Fab Beam					
15	34013-087L	<b>Bar Pin End Bushing Kit</b> Non-Shim Type (Includes Key No. 18a and Fasteners)	4				
16	34013-088L	Shim Type (Includes Key Nos. 17, 18b and Fasteners)					
17		Shim	8				
	50130-000	.19/.19					
	50131-000	.25/.12					

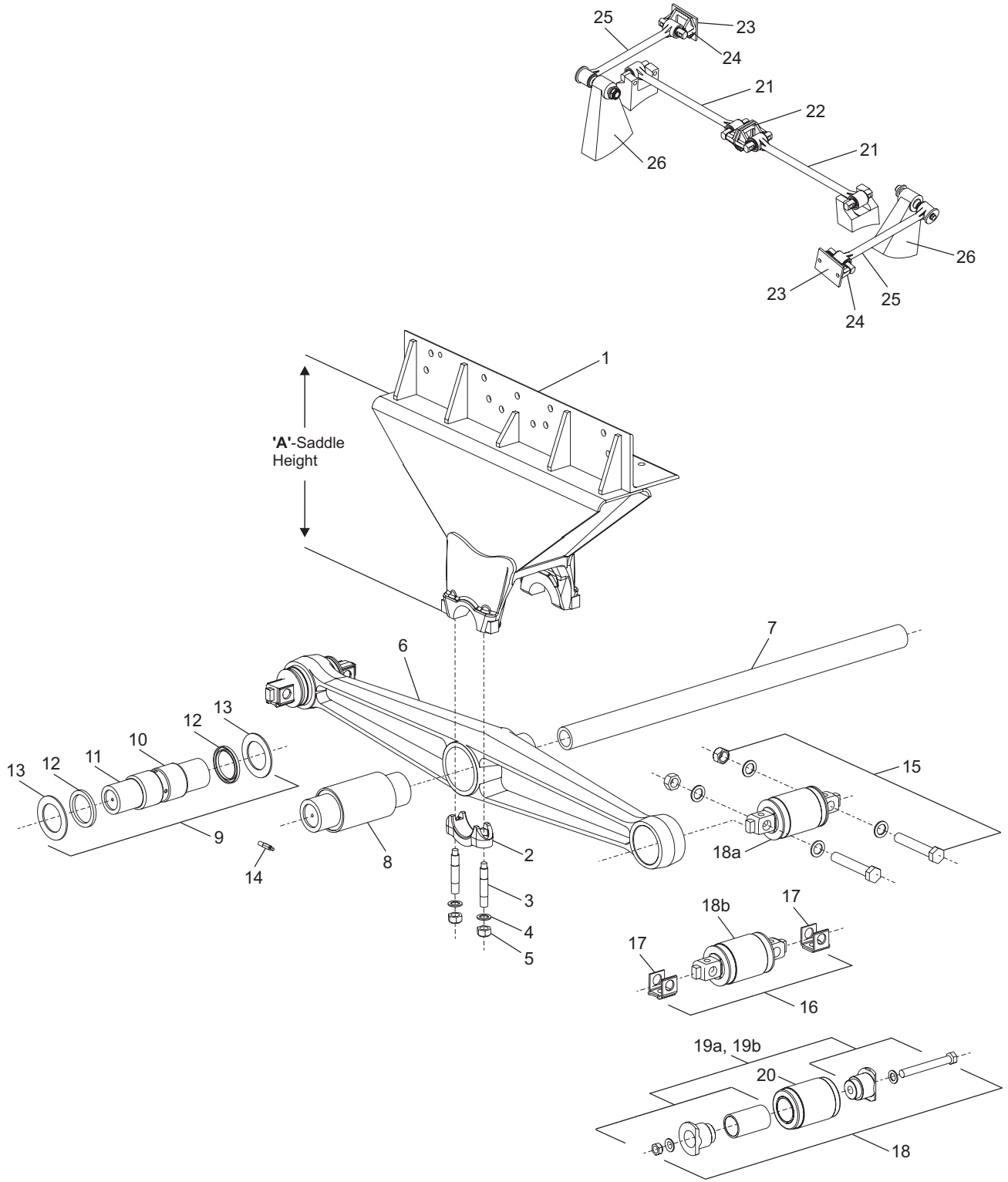
**NOTE:** Brackets for drive axles are supplied by the axle manufacturer.

\* Bushing 49600-000 and 34013-097 are to be used with OTC Installation Tools.

\*\* Hendrickson's part number is stamped on the rod for identification. Be sure and include suffix number when ordering. (This number indicates rod length.) Hendrickson 2-piece ULTRA RODS can be used to create the desired length. See literature number 45745-149.

\*\*\* Transverse Rods (Key 23) are mandatory for all walking beam series suspensions with capacities of 44,000 lbs. through 52,000 lbs. when using rubber equalizing beam center bushings (Key 8), regardless of axle spacing. See SEU-0213 for mandatory use of transverse rods or bronze center bushings.

\*\*\*\* Item included in assembly only, part not sold separately.





# R™-480/503/520/523 PARTS LIST

KEY NO.	PART NO.	DESCRIPTION	NO. REQ.	KEY NO.	PART NO.	DESCRIPTION	NO. REQ.
1		Saddle Assembly Specify Height, Dim. 'A' (Includes Key Nos. 2-5)	2			Bar Pin End Bushing Non-Shim Type****	4
	49623-000	R-480/520		18a	--	Shim Type****	
	50210-000	R-480/503/520/523		18b	--		
2	58795-000	Saddle Cap	4			<b>End Bushing Adapter Kit</b>	4
3	06696-000	Stud	8	19a	21140-034L	R-480/503/520/523	
4	22962-002	Washer	8	19b	21140-033L	R-520/523	
5	04842-000	Nut, Saddle Cap Stud	8	20		End Bushing	1
6		See Equalizer Beam Assembly Parts List	2		29878-001	R-480/503	
7		Crosstube	1		45407-000	R-520/523	
	44643-009	R-480/503, Length 44 <sup>7</sup> / <sub>8</sub> "		21	60218-000	Torque Rod Assembly (2-Piece)**	2
	07622-003	R-520/523, Length 46"		22	22186-000	Torque Rod Frame Bracket	2
8	29483-005	Rubber Center Bushing w/ Loose End Plug*	2		42518-	<b>Transverse Rod Assembly Kit***</b> (Includes Key Nos. 23 - 26)	1
	49600-000	Optional,		23	45045-003	Backup Plate	2
	29483-005	Requires Transverse Rods		24	22186-000	Transverse Rod Frame Bracket	2
	34013-097	w/ Loose End Plug*, Optional, Requires Transverse Rods		25	60215-000	Transverse Rod Assembly (2-Piece)	2
9	30437-000L	<b>Bronze Center Bushing Kit</b> (Includes Key Nos. 10 - 14)	1	26		Transverse Rod Axle Bracket, See 59310-004 for proper axle bracket and Assembly Instructions	2
10	30240-002	Bronze Center Bushing	2				
11	14685-000	Beam Center Sleeve	2				
12	30334-000	Beam Center Seal	4				
13	32365-000	Thrust Washer	8				
14		Lube Fitting	2				
	30087-000	w/ Forged Beam					
	58758-001	w/ Fab Beam					
		<b>Bar Pin End Bushing Kit</b>	4				
15	34013-087L	Non-Shim Type (Includes Key No. 18a and Fasteners)					
16	34013-088L	Shim Type (Includes Key Nos. 17, 18b and Fasteners)					
17		Shim	8				
	50130-000	.19/.19					
	50131-000	.25/.12					
18		<b>End Bushing and Adapter Kit</b>	4				
	34013-050L	R-480/503 (Includes Key Nos. 19a, 20)					
	34013-051L	R-520/523 (Includes Key Nos. 19b, 20)					

**NOTE:** Brackets for drive axles are supplied by the axle manufacturer.

\* Bushing 49600-000 and 34013-097 are to be used with OTC Installation Tools.

\*\* Hendrickson's part number is stamped on the rod for identification. Be sure and include suffix number when ordering. (This number indicates rod length.) Hendrickson 2-piece ULTRA RODS can be used to create the desired length. See literature number 45745-149.

\*\*\* Transverse Rods (Key 23) are mandatory for all walking beam series suspensions with capacities of 44,000 lbs. thru 52,000 lbs. when using rubber equalizing beam center bushings (Key 8), regardless of axle spacing. See SEU-0213 for mandatory use of transverse rods or bronze center bushings.

\*\*\*\* Item included in assembly only, part not sold separately.

This is a general parts list to provide directional information. Components may vary by mode. For questions, contact Hendrickson Tech Services at 630-910-2800 (email [techservices@hendrickson-intl.com](mailto:techservices@hendrickson-intl.com)).



Information contained in this literature was accurate at the time of publication. Product changes may have been made after the copyright date that are not reflected.

[www.hendrickson-intl.com](http://www.hendrickson-intl.com)