

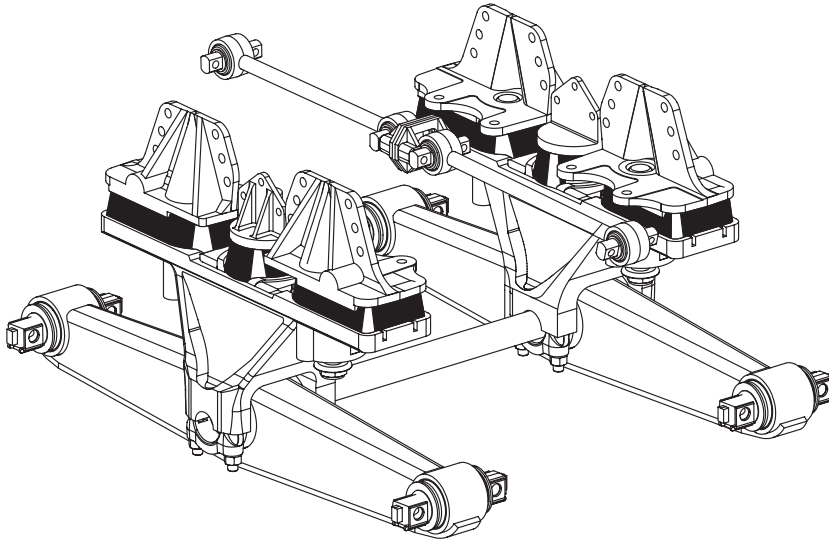
PARTS LIST

RS™ Series

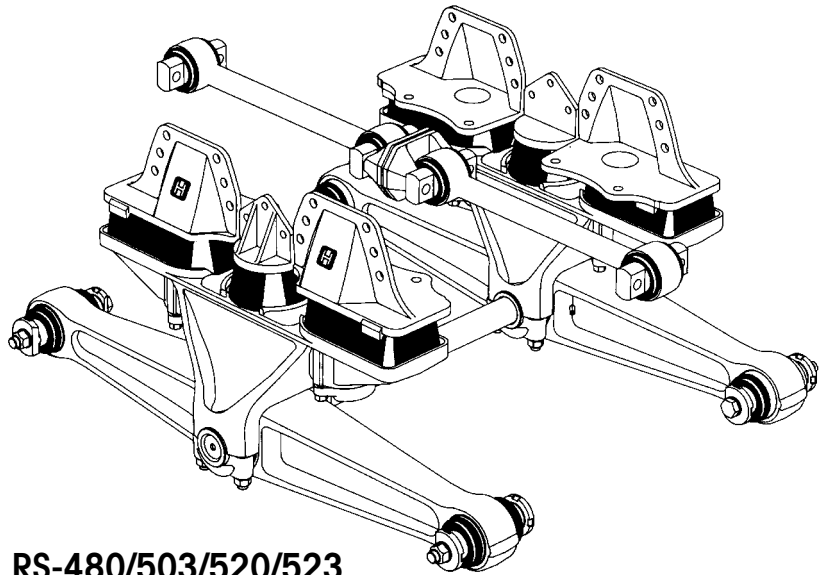
LIT NO: SP-166

DATE: November 2004

REVISION: A



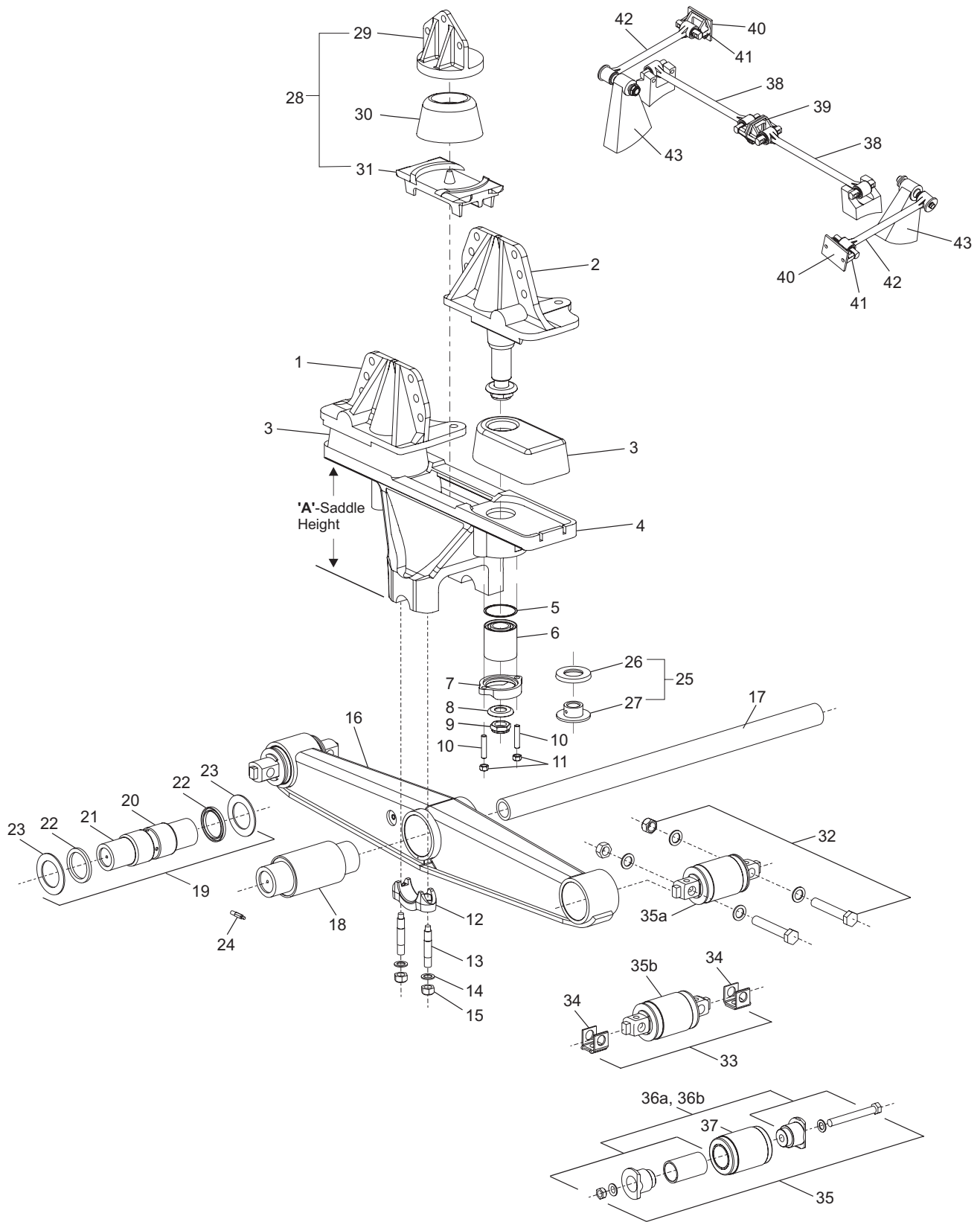
RS-400/403/460/463



RS-480/503/520/523

For The Road Ahead™

 **HENDRICKSON**

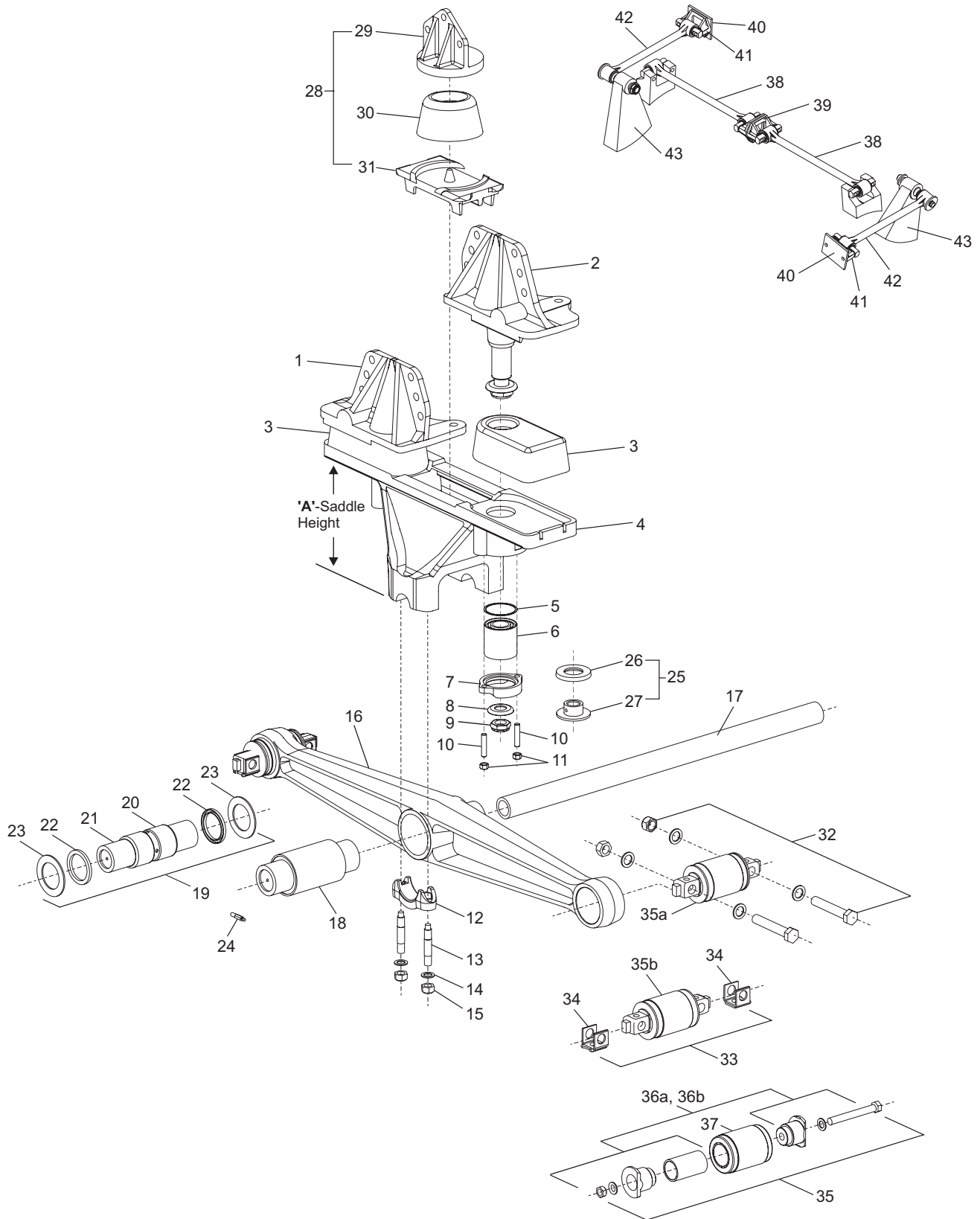




RS™-400/403/460/463 PARTS LIST

KEY NO.	PART NO.	DESCRIPTION	NO. REQ.	KEY NO.	PART NO.	DESCRIPTION	NO. REQ.
1		Frame Hanger LHF/RHR (Includes Key Nos. 8, 9) See Literature No. 45745-037	2	25		Rebound Control Stop Nut Kit (Includes Key Nos. 26, 27)	1
2		Frame Hanger RHF/LHR (Includes Key Nos. 8, 9) See Literature No. 45745-037	2	31005-001		One Side (Optional)	
3*		Load Cushion	*	31005-002		Both Sides (Optional on RS-403/463)	
	48973-000	60 Durometer Standard on RS-400/403	*	26	30208-000	Rebound Bumper	As Req.
	26953-000	70 Durometer Standard on RS-460/463	4	27	30251-000	Stop Nut	As Req.
4		Saddle Assembly, 12¼" Height, RS-403/463 Dim. 'A' (Includes Key Nos. 5, 6, 7, 10 -15) (Casting No. 10711-001)	2	28		Heavy-Duty/Load Cushion Kit , Standard on RS-463, Optional on RS-403, (Includes Key Nos. 29-31)	1
4	08606-067	Saddle Assembly, 12¾" Height, RS-403/463 Dim. 'A' (Includes Key Nos. 5, 6, 7, 10 -15) (Casting No. 10711-005)	2	20681-072		34" Frame Width	
4	08606-107	Saddle Assembly, 14" Height, RS-403/463 Dim. 'A' (Includes Key Nos. 5, 6, 7, 10 -15) (Casting No. 10711-002)	2	20681-077		34½" Frame Width	
4	08606-080	Saddle Assembly, 15¼" Height, RS-403/463 Dim. 'A' (Includes Key Nos. 5, 6, 7, 10 -15) (Casting No. 10711-003)	2	29		Frame Hanger	2
5	50780-000	Saddle Bearing Ring	4	48523-001		34" Frame Width	
6	19279-000	Bushing, Vertical	4	48525-001		34½" Frame Width	
7	05917-000	Cap	4	30	24209-000	Heavy-Duty Load Cushion	2
8	08536-000	1½" Concave Washer	4	31	20781-000	Saddle Plate	2
9	25151-000	1½"-12 UNF NYLocknut	4			Bar Pin End Bushing Kit	4
10	19111-001	5/8"-18 UNF Stud	8	32	34013-087L	Non-Shim Type (Includes Key No. 35a and Fasteners)	
11	19114-000	5/8"-18 UNF CTR Locknut	8	33	34013-088L	Shim Type (Includes Key Nos. 34, 35b and Fasteners)	
12	58795-000	Saddle Cap	4	34		Shim	8
13	09030-000	7/8"-14 UNF/9 UNC Stud	8	50130-000		.19/.19	
14	22962-002	7/8" Hardened Washer	8	50131-000		.25/.12	
15	04842-000	Nut, Saddle Cap Stud 7/8"-14 UNF Locknut	8	35		End Bushing and Adapter Kit	4
16		See Equalizing Beam Assembly Selection Guide 45745-147	2	34013-049L		RS-403 (Includes Key Nos. 36a, 37)	
17		Cross Tube	1	34013-073L		RS-463 (Includes Key Nos. 36b, 37)	
18		Rubber Center Bushing	2			Bar Pin End Bushing*****	4
	49400-000	RS-400/403**		35a	--	Non-Shim Type	
	49600-000	RS-400/403 w/ Loose End Plug**		35b	--	Shim Type	
	29483-005	RS-460/463, Requires Transverse Rods				End Bushing Adapter Kit	4
	34013-097	RS-460/463 w/ Loose End Plug**, Optional, Requires Transverse Rods		36a	45000-007L	RS-400/403	
19		Bronze Center Bushing Kit (Includes Key Nos. 20-24)	1	36b	21140-034L	RS-460/463	
	30437-000L	RS-400/403/460/463		37	45900-000L	End Bushing RS-400/403/460/463	1
20		Bronze Center Bushing RS-400/403/460/463	2	38	60218-000	Torque Rod Assembly (2-Piece)***	2
21		Beam Center Sleeve RS-400/403/460/463	2	39	22186-000	Torque Rod Frame Bracket	2
22		Beam Center Seal RS-400/403/460/463	4			Transverse Rod Assembly Kit**** (Includes Key Nos. 40-43)	1
23		Thrust Washer RS-400/403/460/463	8	40	45045-003	Backup Plate	2
24		Lube Fitting	2	41	22186-000	Transverse Rod Frame Bracket	2
	30087-000	w/ Forged Beam		42	60215-000	Transverse Rod Assembly (2-Piece)	2
	58758-001	w/ Fab Beam		43		Transverse Rod Axle Bracket, See 59310-004 for proper axle bracket and Assembly Instructions	2

NOTE: Brackets for drive axles are supplied by the axle manufacturer.
 * For Load Cushion Recommendation Chart, see page 8, Technical Publication 17730-064.
 ** Bushing 49600-000 to be used with OTC Installation Tools.
 *** Hendrickson's part number is stamped on the rod for identification. Be sure and include suffix number when ordering. (This number indicates rod length.) Hendrickson 2-piece ULTRA RODS can be used to create the desired length. See literature number 45745-149.
 **** Transverse Rods (Key 40) are mandatory for all walking beam series suspensions with capacities of 44,000 lbs. thru 52,000 lbs. when using rubber equalizing beam center bushings (Key 18), regardless of axle spacing. See SEU-0213 for mandatory use of transverse rods or bronze center bushings.
 ***** Item included in assembly only, part not sold separately.





RS™-480/503/520/523 PARTS LIST

KEY NO.	PART NO.	DESCRIPTION	NO. REQ.	KEY NO.	PART NO.	DESCRIPTION	NO. REQ.
1		Frame Hanger LHF/RHR (Includes Key Nos. 8, 9) See Literature No. 45745-037	2	26	30208-000	Rebound Bumper	As Req.
2		Frame Hanger RHF/LHR (Includes Key Nos. 8, 9) See Literature No. 45745-037	2	27	30251-000	Stop Nut	As Req.
3*	26953-000	Load Cushion 70 Durometer Standard on RS-480/503/520/523	4	28		Heavy-Duty/Load Cushion Kit, Standard on RS-503/523 (Includes Key Nos. 29-31)	1
4	08606-132	Saddle Assembly, 12¼" Height, Dim. 'A' (Includes Key Nos. 5, 6, 7, 10 -15) RS-480/503/520/523 (Casting No. 10711-001)	2		20681-072	34" Frame Width	
4	08606-136	Saddle Assembly, 127/8" Height, Dim. 'A' (Includes Key Nos. 5, 6, 7, 10 -15) (Casting No. 10711-005)	2		20681-077	34½" Frame Width	
4	08606-133	Saddle Assembly, 14" Height, Dim. 'A' (Includes Key Nos. 5, 6, 7, 10 -15) (Casting No. 10711-002)	2	29		Frame Hanger	2
4	08606-134	Saddle Assembly, 15¼" Height, Dim. 'A' (Includes Key Nos. 5, 6, 7, 10 -15) (Casting No. 10711-003)	2		48523-001	34" Frame Width	
5	50780-000	Saddle Bearing Ring	4		48525-001	34½" Frame Width	
6	19279-000	Bushing, Vertical	4	30	24209-000	Heavy-Duty Load Cushion	2
7	05917-000	Cap	4	31	20781-000	Saddle Plate	2
8	08536-000	1½" Concave Washer	4			Bar Pin End Bushing Kit	4
9	25151-000	1½"-12 UNF NYLocknut	4	32	34013-087L	Non-Shim Type (Includes Key No. 35a and Fasteners)	
10	19111-001	5/8"-18 UNF Stud	8	33	34013-088L	Shim Type (Includes Key Nos. 34, 35b and Fasteners)	
11	19114-000	5/8"-18 UNF CTR Locknut	8	34		Shim	8
12	58795-000	Saddle Cap	4		50130-000	.19/.19	
13	09030-000	7/8"-14 UNF/9 UNC Stud	8		50131-000	.25/.12	
14	22962-002	7/8" Hardened Washer	8	35		End Bushing Adapter Kit	4
15	04842-000	Nut, Saddle Cap Stud 7/8"-14 UNF Locknut	8		34013-050L	RS-480/503/520/523 (Includes Key Nos. 36a, 37)	
16		See Equalizing Beam Assembly Selection Guide 45745-147	2		34013-051L	RS-520/523 (Includes Key Nos. 36b, 37)	
17		Cross Tube	1			Bar Pin End Bushing*****	4
	44643-009	RS-480/503 447/8"		35a	--	Non-Shim Type	
	07622-003	RS-520/523 46"		35b	--	Shim Type	
18	29483-005 34013-097	Rubber Center Bushing w/Loose End Plug**, Optional, Requires Transverse Rods	2			End Bushing Adapter Kit	4
19	30437-000L	Bronze Center Bushing Kit (Includes Key Nos. 20 -24)	1	36a	21140-034L	RS-480/503/520/523	
20	30240-002	Bronze Center Bushing	2	36b	21140-033L	RS-520/523	
21	14685-000	Beam Center Sleeve	2	37		End Bushing	
22	30334-000	Beam Center Seal	4		29878-001	RS-480/503	
23	32365-000	Thrust Washer	8		45407-000	RS-520/523	
24		Lube Fitting	2	38	60218-000	Torque Rod Assembly (2-Piece)***	2
	30087-000	w/ Forged Beam		39	22186-000	Torque Rod Frame Bracket	2
	58758-001	w/ Fab Beam			42518-	Transverse Rod Assembly Kit**** (Includes Key Nos. 40-43)	1
25		Rebound Control Stop Nut Kit (Includes Key Nos. 26, 27)	1	40	45045-003	Backup Plate	2
	31005-001	One Side (Optional)		41	22186-000	Transverse Rod Frame Bracket	2
	31005-002	Both Sides (Optional on RS-480/503, Standard on RS-523)		42	60215-000	Transverse Rod Assembly (2-Piece)	2
				43		Transverse Rod Axle Bracket, See 59310-004 for proper axle bracket and Assembly Instruction	2

NOTE: Brackets for drive axles are supplied by the axle manufacturer.

* For Load Cushion Recommendation Chart, see page 8, Technical Publication 17730-064.

** Bushing 34013-097 to be used with OTC Installation Tools.

*** Hendrickson's part number is stamped on the rod for identification. Be sure and include suffix number when ordering. (This number indicates rod length.) Hendrickson 2-piece ULTRA RODS can be used to create the desired length. See literature number 45745-149.

**** Transverse Rods (Key 40) are mandatory for all walking beam series suspensions with capacities of 44,000 lbs. thru 52,000 lbs. when using rubber equalizing beam center bushings (Key 18), regardless of axle spacing. See SEU-0213 for mandatory use of transverse rods or bronze center bushings.

***** Item included in assembly only, part not sold separately.

This is a general parts list to provide directional information. Components may vary by mode. For questions, contact Hendrickson Tech Services at 630-910-2800 (email techservices@hendrickson-intl.com).



Information contained in this literature was accurate at the time of publication. Product changes may have been made after the copyright date that are not reflected.

www.hendrickson-intl.com